

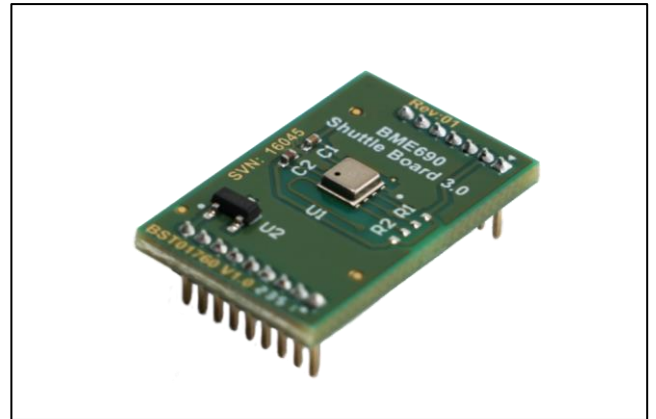
BME690

Shuttle board 3.0 flyer

1 General description

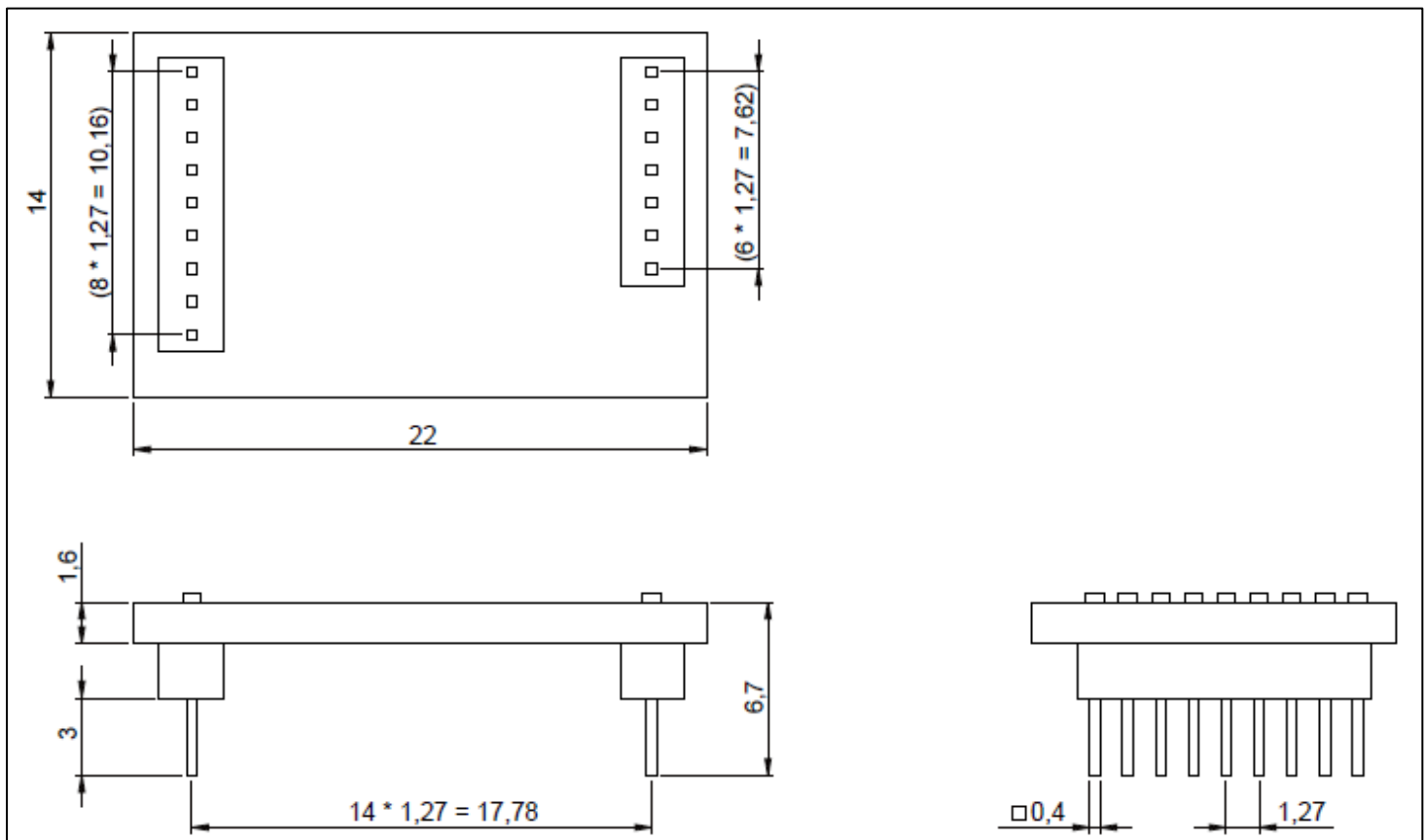
The Bosch Sensortec BME690 shuttle board 3.0 is a PCB with the gas, pressure, temperature and humidity sensor BME690 mounted on it. In combination with the application board 3.x, the shuttle board can be used to evaluate the signal outputs provided by the sensor itself as well as the additional outputs generated by the BSEC library for BME690. The shuttle board allows easy access to the sensor pins via a simple socket and can be directly plugged into the Bosch Sensortec application board 3.x.

Typically, the BME690 shuttle board with single sensor can be used to validate temperature, humidity, pressure and IAQ (Index for Air Quality).



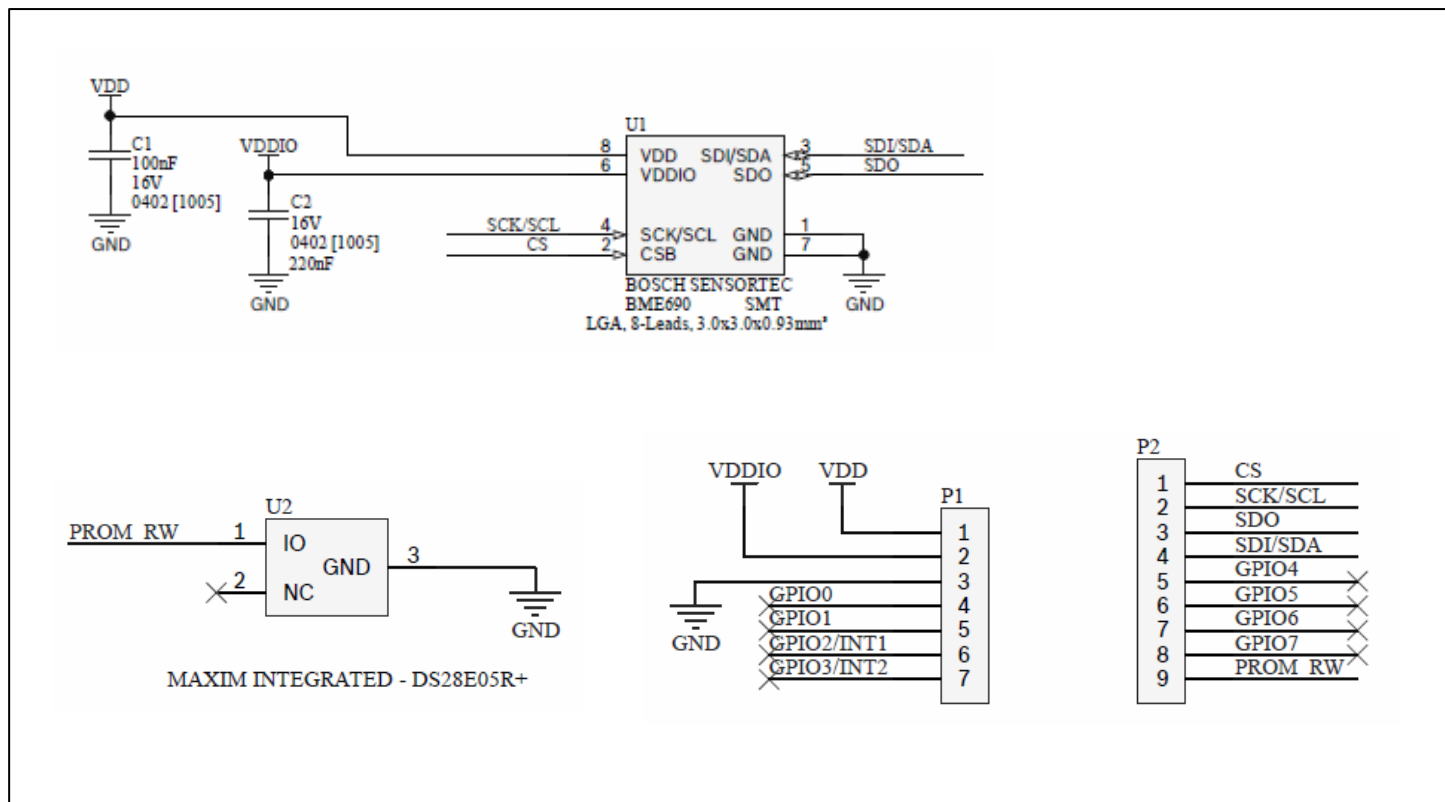
BME690 Shuttle board 3.0

Note: Product photo may differ from real product's appearance



Shuttle board outline dimension

All dimensions in mm



Electrical layout

2 Designator P1 shuttle board connector

Pin	Pin name	Description
1	VDD	Power supply
2	VDDIO	Power supply
3	GND	Ground
4	GPIO0	Not Connected
5	GPIO1	Not Connected
6	GPIO2/INT1	Not Connected
7	GPIO3/INT2	Not Connected

Shuttle board identification:

- Sales Part Number: 0440 SB4 048
- Shuttle board ID: BST01760 V1.0
- Chip ID: 0x61
- Shuttle ID: 0x93

3 Designator P2 shuttle board connector

Pin	Pin name	Description
1	CS	Chip selection pin of SPI bus
2	SCK/SCL	Clock pin of both SPI and I2C bus
3	SDO	Master-input-slave-output data pin of SPI bus
4	SDI/SDA	Master-output-slave-input data pin of SPI bus / data pin of I2C bus
5	GPIO4	Not Connected
6	GPIO5	Not Connected
7	GPIO6	Not Connected
8	GPIO7	Not Connected
9	PROM_RW	Connect to EEPROM

Headquarters Bosch Sensortec GmbH

Gerhard-Kindler-Strasse 9
72770 Reutlingen · Germany
Telephone +49 7121 3535 900
Fax +49 7121 3535 909

www.bosch-sensortec.com